

DPT

Smart Pressure/DP Transmitter User Manual



ABUS TECHNOLOGIES INC.

WARNING

- ✓ This manual should be passed on to the end user.
- ✓ The contents of this manual are subject to change without prior notice.
- ✓ All rights reserved.
- ✓ ABUS gives no warranty of any kind with regard to this manual, including, but not limited to, fitness for a particular purpose.
- ✓ If any question arises or errors are found, or if any information is missing from this manual, please inform your supplier or inform at info@abusek.com
- ✓ The specifications mentioned in this manual are limited to those for the standard type under the specified model number break-down and do not necessarily apply for customized instruments.
- ✓ Please note that changes in the specifications, construction, or component parts of the instrument may not immediately be reflected in this manual at the time of change.
- ✓ If the customer or any third party is harmed by the use of this product, ABUS assumes no responsibility for any such harm owing to any defects in the product which were not predictable, or for any indirect damages.
- ✓ The integral modules specifically HART module are not manufactured by ABUS.

Although Warning hazards are related to personal injury, and Caution hazards are associated with equipment or property damage, it must be understood that operation of damaged equipment could, under certain operational conditions, result in degraded process system performance leading to personal injury or death. Therefore, comply fully with all Warning and Caution notices.

Information in this manual is intended only to assist our customers in the efficient operation of our equipment. Use of this manual for any other purpose is specifically prohibited and its contents are not to be reproduced in full or part without prior approval of Technical Communications Department, ABUS Technologies.

HEALTH AND SAFETY

To ensure that our products are safe and without risk to health, the following points must be noted:

1. The relevant sections of these instructions must be read carefully before proceeding.
2. Warning labels on containers and packages must be observed.
3. Installation, operation, maintenance and servicing must only be carried out by suitably trained personnel and in accordance with the information given. Any deviation from these instructions will transfer the complete liability to the user.
4. Normal safety precautions must be taken to avoid the possibility of an accident occurring when operating in conditions of high pressure and/or temperature.
5. Chemicals must be stored away from heat, protected from temperature extremes and powders kept dry. Normal safe handling procedures must be used.
6. When disposing of chemicals ensure that no two chemicals are mixed.

Safety advice concerning the use of the equipment described in this manual or any relevant hazard data sheets (where applicable) may be obtained from the Company address on the back cover, together with servicing and spares information.

CATALOGUE

Contents	Page No.
1. Introduction	4
2. Presentation	4
1. Structure Overview	4
2. Working Principle	5
3. Dimensions	6
4. Technical Parameters	6
1. Push Button Functions	8
3. Electrical Connections	9
4. Ordering Details	11
5. Ordering Details (Micro Differential Transmitter)	12
6. Ordering Details (M94DL)	14
7. Safety Precautions	15
8. Warranty	15

1. INTRODUCTION

The ABUS DP Series features high performance with high degree of precision. Differential pressure measurement can be used to measure flow, level, density and viscosity. This versatile primary measurement can provide high accuracy results even in harsh environmental conditions. It is considered on the basis of the proven and reliable sensing technology and extensive digital technology.

16-bit single chip is adopted as its core element, with its powerful function and high-speed processing capacity, ensures the excellent accuracy with stability of the transmitter. The whole design frame focuses on its reliability, stability and high precision, meeting the growing demand of on-site industrial use. To achieve this goal, digital signal processing is used by the software to ensure minimum disturbance effects and zero point stability. Meanwhile, it has the Zero Stability Capacity (ZSC) and Temperature Supplementing Capacity (TSC).

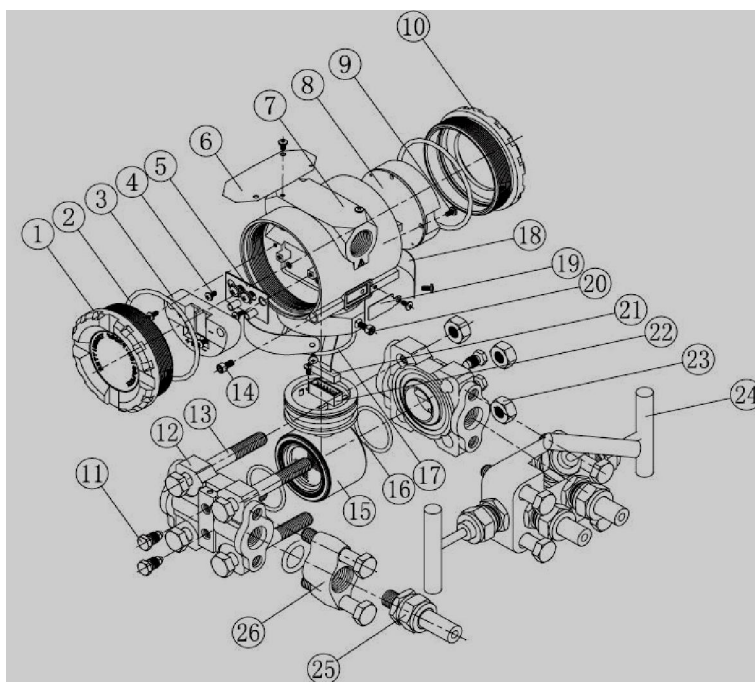
The powerful interface guarantees an excellent interaction rarely needing manual operator. Keypad operation can accomplish the basic settings of zero, range setting, damping setting under the circumstances of no standard pressure, and proving to be very convenient for the on-site adjustments.

By connecting with module RS485, it can realize the remote transmission of digital signal or the building up of RS485 industrial LAN.

Transmitter has an optional HART module. Transmitter added the HART module has HART communication capabilities, with the conventional operations being controlled by the manual operator. Transmitter can be widely used in the sectors such as petroleum, chemical, iron & steel, power supply, light industry and environmental protection, capable of realizing the measurement of various pressures, differential pressures, flows and fluids, can adapt for all kinds of harsh and hazardous environment and corrosive processes.

2. PRESENTATION

2.1 Structure Overview

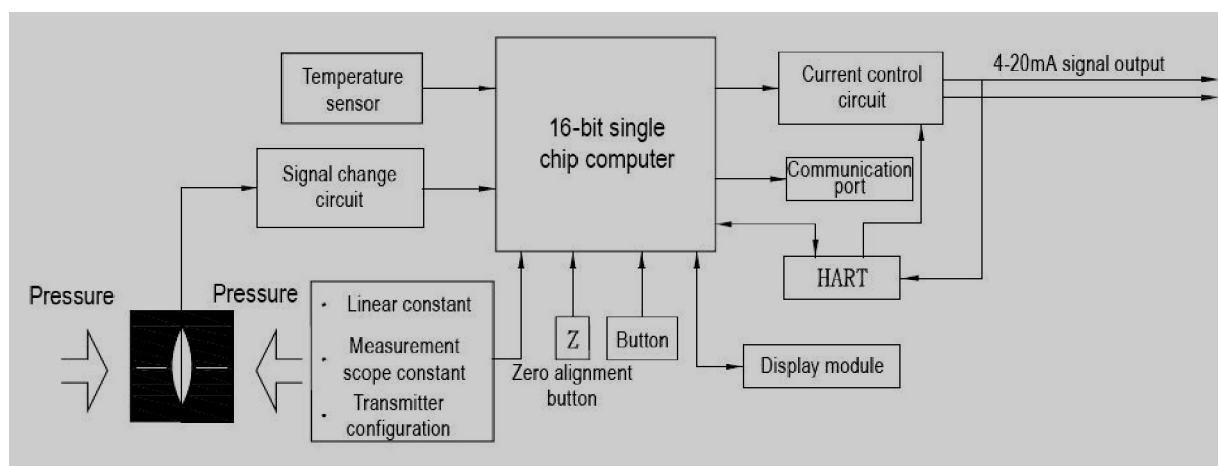


Description

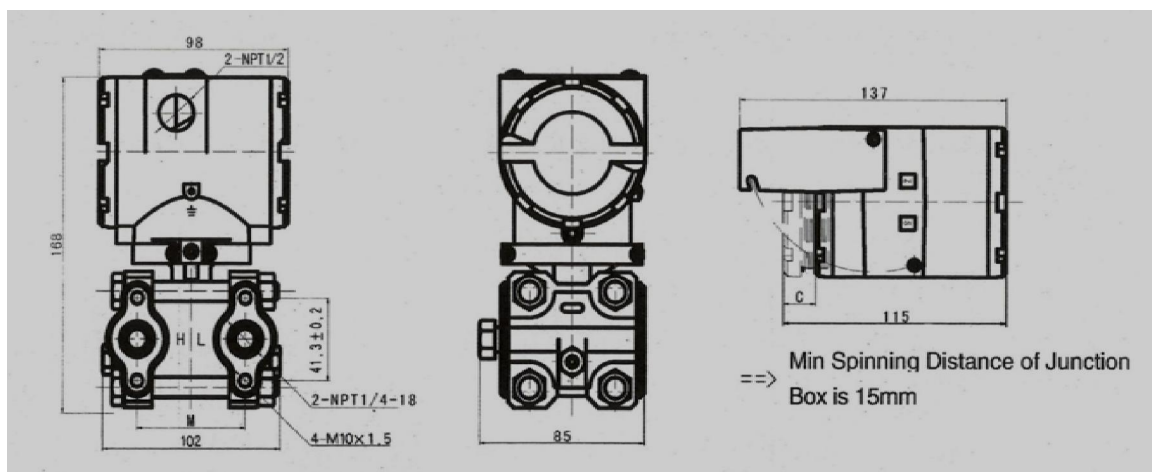
1	Cover	14	Cover lock bolt
2	O-ring	15	Sensor
3	Wiring terminals cover	16	O-ring
4	Mounting bolts of circuit board	17	O-ring
5	Thunder-proof wiring circuit board	18	Position code plate
6	Name plate	19	Zero alignment plate
7	Housing body	20	Housing body lockup bolt
8	Meter head	21	Parallel wires
9	Mounting bolts of meter head	22	Circuit board
10	Meter head cover	23	Nut M10
11	Drain/ vent valve	24	Integrated 3-valve group (optional)
12	Template	25	Welded connector (optional)
13	Bolts M10	26	Flange (optional)

2.2 Working Principle

As indicated in the working principle diagram, the outside pressure or differential pressure will cause some change in the sensor capacitance value. Through the digital signal conversion, it will change into the frequency signal, which is sent to the microprocessor. After the calculation by microprocessor, a current control signal will be output to the current control circuit, converted into analogue 4-20mA current output. Meanwhile, the microprocessor is responsible for the interactive and other actions (display and setting). The communication port used for digital communication needs the special port of our company. HART module will realize the transmitter HART communication.



2.3 Dimensions



M	Type	1200	1300	1400	1500	1600	1700	1800	1900	1000	2300	
	Size (mm)	54				55.6		57.2	58.4	59.2	54	
	Type	2400	2500	2600	2700	2800	5600	6600	7600	8600	9600	
	Size (mm)	54		55.6		57.2		55.6				
	Type	5700	6700	7700	8700	9700	6800	7800	8800			
	Size (mm)	55.6				57.2						

NOTE: Pl refer to product manual for any changes

2.4 Technical Parameters

Output Signal:	4 ~ 20mA DC, 2-Wire System with Digital communication,
Reference Accuracy:	±0.075%
Range ability	100 : 1
Overall Performance:	± 0.1 % (for range of 1/10 of max allowed span) including comprehensive inaccuracy of linearity, changing difference and repeatability.
Stability:	±0.15% of the span; for Draft Ranges, ±0.25% of the span.
Start-Up time:	Max 2 seconds for minimum damping.
Volume Change:	Less than 0.16cm ³ .
Response Time:	Less that 100 ms
Damping:	Electrical damping is 0 ~ 32 seconds, continually adjustable at an interval of 0.1 second. Sensitive components have 0.2 seconds constant damping time. (Span 3 is 0.4 seconds)
Functions:	PushButton configurable Linear/Square root
Effect of Temperature:	Zero Inaccuracy: Max. ±0.25% of span for each 50F (28°C).
Vibration Effect:	At time of 0 ~ 200Hz for shock frequency on any direction, the error is 0.05%/g of the highest one.
Power Effect:	Less than output range by ±0.005%/V.

Mounting Orientation Effect: Zero drifts no more than 0.24kPa. No effect for movement parallel to diaphragm. The error could be resolved by quick Zero reset pushbutton on the instrument.

Power Voltage: 12V ~ 45V DC
Intrinsically safe/explosion-proof products with max 30 VDC should be powered by safe Barrier

Parameters for intrinsically safety: U_0 28V DC,
type outsourcing safe barrier I_0 30mA
 P_0 0.84W

Physical Parameters:

O Ring of Contacting Medium: Viton / Glass Filled PTFE

Filling liquid: Silicone Oil / Inert Gas

Bolt: Cadmium plated carbon steel.

Outer shell or electronic circuit: Low Cu Al.

O shaped seal ring: Acrylonitrile-butadiene rubber, fluorine rubber polyurethane.

NOTE: Please refer to Ordering Table for Flange connector, Exhaust/Vent valves and Isolation Diaphragm Material options

Pressure Connection Part: $\frac{1}{4}$ - 18 NPT for joint thread in pressure room,
 $\frac{1}{2}$ - 14 NPT for joint thread in pressure guiding joint.

Weight: Basic Model, 2.4Kg

Operation Environment under Normal Conditions

Operation Temperature(Ambient): Smart Type:-20°C ~ +85°C.

Storage Temperature: -40°C ~ +104°C

Humidity: 0 ~ 90%

Atmospheric Pressure: 86 ~ 106 kPa

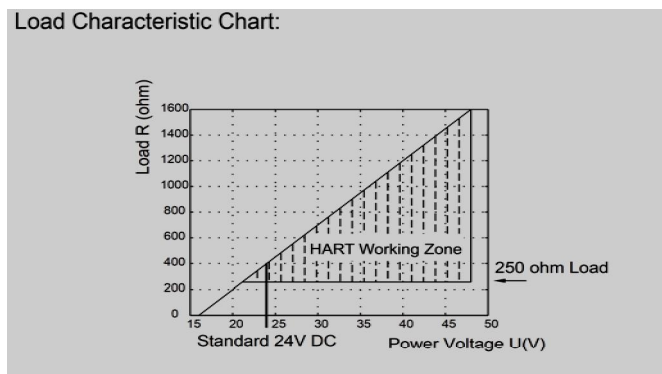
Operation Environment Conditions for Explosion-Proof Product

Humidity: -20°C ~ +40°C

Relative Humidity: 5% ~ 95%

Atmospheric Pressure: 86 ~ -106 kPa

Load Characteristic Chart:



2.4.1 Push Button Functions

1. Zero & Span Shift

Zero Shift : push key S & Z at the same time (key S on the left while key Z on the right) for 6 seconds, the screen indicates "Hart", means zero and span adjustment status is activated; push key Z for 5 seconds, "Hart" on the screen disappeared; zero shifts successfully and exits the status of activation.

Span Shift: push key S & Z at the same time (key S on the left while key Z on the right) for 6 seconds, the screen indicates "Hart", means zero and span adjustment status is activated; after confirming the pressure of equipment is span pressure, push key S for 6 seconds; then "Hart" on the screen disappeared; span shifts successfully and exits the status of activation.

Note: After entering the status of activation, if you don't want to adjust, push key S & Z together; after loosing the key, "Hart" on the screen disappears; it means having exit the status of activation.

2. Parameter Setting

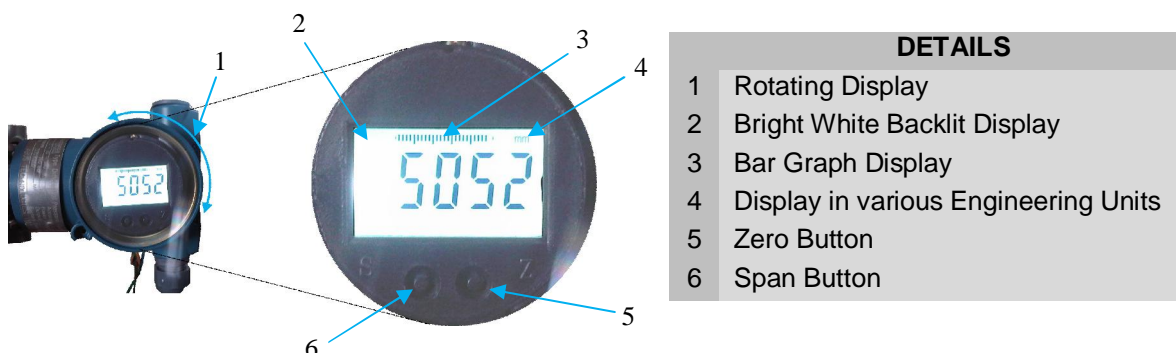
2-1 keys : Push key S & Z = exit key; exit key comes into force after loosing key S & Z; push key Z for 4 seconds to shift

2-2 Parameters : After pushing key S for 6 seconds, the screen indicates "PASS"; then push key Z, the screen indicates value and the cursor flickers. The flickering bit is modifier bit; push key Z the value increases 1 but not carry. Push key Z for 4 seconds the cursor shifts. Follow the above mentioned operation to revise the value to be 160, then push key S to enter adjustment procedure of next parameter. Meanings of parameters are as follows:

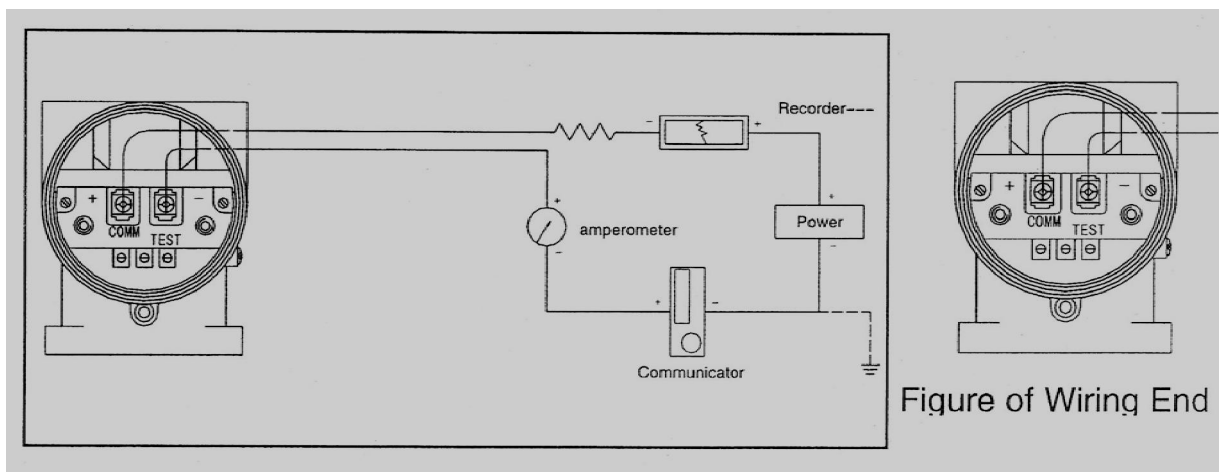
Parameter Prompt	Value	Meaning
PASS	XXXXX	Password Verification, PW: 160
bdSh	XXXX.X	Process value to 20 mA (full scale value)
bdSL	XXXX.X	Process Value to 4 mA (zero value)
trAn	XXXXX	Transmitting function, "=0" stands for linearity, "=1" stands for evolution
Unl t	XXXXX	Indicating units, 0=KPa, 1=KPa, 2=KPa, 4=KPa, 6=Pi, 7=bar, 8=KPa, 9=KPa, 11=Pa, 12=KPa, 13=KPa, 15=MPa, 16=mA, 17=%, 18=S, 19=m ³ , 20=t/h
dAhP	XXXX.X	Damping time, max limited value is 30 s when program runs
PrEL	XXXXX	Low point trimming. Process value adjusted to input value; after pushing key Z revise low point trimming pressure value; don't push key Z if you don't want to adjust; directly push key S to enter next parameter
PrEh	XXXXX	High point trimming. Process value adjusted to input value; after pushing key Z revise high point trimming pressure value; don't push key Z if you don't want to adjust; directly push key S to enter next parameter
I n l t	yes/no	Hart. Three-point linearization and trimming data initialization

Hotkey: push key Z for 6 seconds to do zero trimming

Note: Please operate carefully for italic part parameters; make sure correct value of pressure forced on equipment



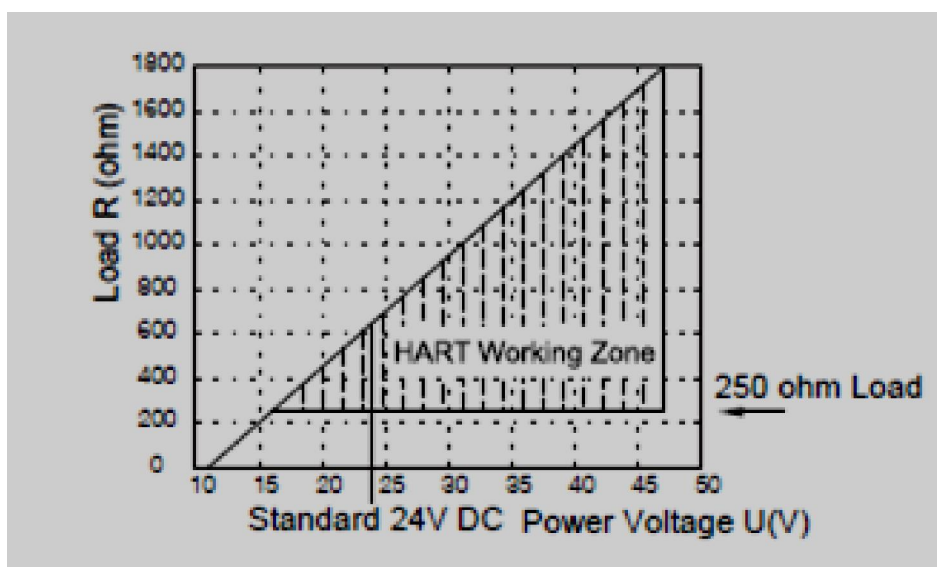
3. ELECTRICAL CONNECTIONS



Electrical Port: :NPT1/2 load resistance of cable sealed connector: (4-20mA)

$$= \frac{-14}{0.02}$$

where: U is power voltage, R_D is cable internal resistance



(Note 1: User can install the distributor or safe barriers per the on-site and design requirements. For details, see the usage of distributor and safe barrier.)

It is recommended to choose the explosion-proof impulse terminal with the cable diameter of $\phi 8 - 12$. The connection terminal is set with test terminal, convenient for the online test of the operator.

Signal terminal is situated in a separate housing of the electrical box. Screw up the meter cover for wiring. The upper end is for signal, while the lower end is for test meter. Fig. 2-13 indicated the terminal location. The test terminal is used for connecting any optional indicator

ABUS TECHNOLOGIES INC.

head or test. The power supply goes to the transmitter through the signal line, with no need of additional wiring.

Special Attention:

Do not connect the power signal line to the test terminal; otherwise the diode inside the test terminal would be destroyed

In case of the diode being damaged unfortunately, connecting the test terminal can keep the transmitter working on, except the indicator unable to connect.

No need to shield the signal wire, and litz wire can be used for better effect. Do not lay together the signal wire and other power wires, to get near to the strong electricity equipment.

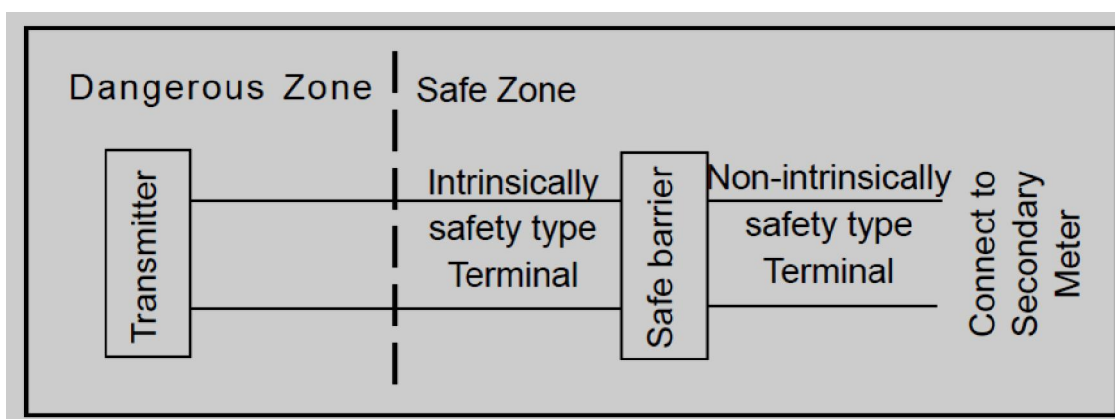
The wiring orifice on the housing body of transmitter should be sealed or inserted in a plug smeared with seal glue to prevent the humidity being accumulated in the housing. In the case of the wiring not being sealed, the transmitter should be mounted with the wiring orifice upside down to discharge the moisture.

The signal line may ignore the grounding (hanging) or get to ground at any point on the loop line. The transmitter housing can have grounding or not, and the power has no need of being stabilized, even if the power ripples has a peak-to-peak value of 1V. And the output ripples of transmitter can also be ignored.

Since the transmitter gets grounded by way of capacitance coupling, it is not appropriate to use a high-voltage mega-ohm meter to check the insulation resistance. The voltage used for checking the line should be no more than 100 V.

The transmitter circuitry is designed as intrinsic safe circuitry, limiting the output current below 30 mA DC (35 mA DC under the condition of high temperature or high voltage).

Intrinsically Safety Type Explosion Proof Transmitter System Wiring Diagram



U_i: 28V DC

l_i: 30mA

P_i: 0.84W

U_m 250V AC/DC

U_o 28V DC

I_o 30mA

P_o 0.84W

Note: See GB3836, 4-2000 standard for the definitions of U_m, U_o, I_o, P_o, U_i, l_i, P_i

The connection wire or cable between safe barrier and transmitter has a largest allowed distribution capacitance of no more than 0.02μF and the largest allowed distribution inductance of not more than 2.0mH.

4. ORDERING DETAILS

TYPE				DESCRIPTION				
Product	M94			Smart Transmitter with HART Communication				
Type		DP		Differential Pressure				
Range				SPAN	RANGE	STATIC PRESSURE		
			33	1.2~7.2kPa	-7.2~7.2kPa	2.5MPa		
			53	1.2~7.2kPa	-7.2~7.2kPa	6.4 MPa		
			54	6~36kPa	-36~36kPa	6.4 MPa		
			55	30~180kPa	-180~180kPa	6.4 MPa		
			64	6~36kPa	-36~36kPa	16 MPa		
			65	30~180kPa	-180~180kPa	16 MPa		
			96	160~1000kPa	-1000~1000kPa	40 MPa		
			97	400~2500kPa	-2500~2500kPa	40 MPa		
			88	1600~10000kPa	-10000~10000kPa	32 MPa		
Structure Material	L22 is the Part of Standard equipment			FLANGE	DRAIN/VENT	DIAPHRAGM	FILL LIQUID	
			L12	CS CD-plating	316 L SS	316 L SS	Silicone Oil	
			L13	CS CD-plating	Hastelloy C	Hastelloy C		
			L14	CS CD-plating	Monel	Monel		
			L15	CS CD-plating	316 L SS	Tantalum		
			L22*	316 L SS	316 L SS	316 L SS		
			L23	316 L SS	316 L SS	Hastelloy C		
			L24	316 L SS	316 L SS	Monel		
			L25	316 L SS	316 L SS	Tantalum		
			L33	Hastelloy C	Hastelloy C	Hastelloy C		
			L35	Hastelloy C	Hastelloy C	Tantalum		
			L44	Monel	Monel	Monel		
			Optional Components	Weather proof is the Standard equipment		D		Digital Backlit LCD Indicator(with programming keys)
B1	Bend bracket for pipe mounting (2" pipe)							
B2	Bend Bracket for plate mounting							
B3	Flat bracket for pipe mounting (2" pipe)							
D1	Side exhaust/vent valve of flange on top							
D2	Side exhaust/vent valve of flange on bottom							
W*	WeatherProof Type							
E	Explosion Proof Type							
I	Intrinsically Safe Type							

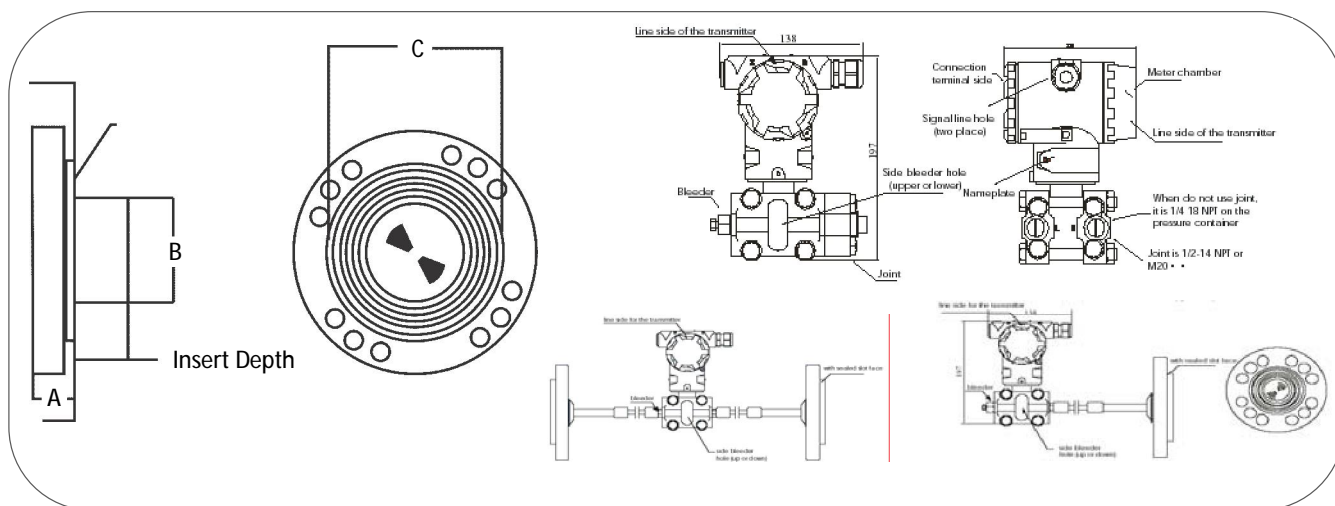
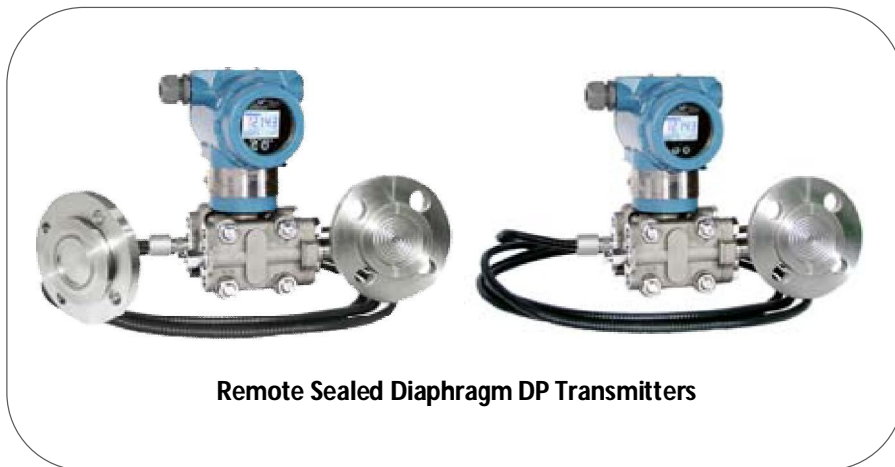
Example: M94 DP 65 L22 D

5. ORDERING DETAILS (Micro Differential Transmitter)

TYPE				DESCRIPTION				
Product	M94			Smart Transmitter with HART Communication				
Type		MD		Differential Pressure				
Range				SPAN		RANGE		
		12		0.20~2kPa		-0.2~+2kPa		
		10		0.06~0.3kPa		-0.3~0.3kPa		
Structure Material	L22 is the Part of Standard equipment			FLANGE	DRAIN/VENT	DIAPHRAGM	FILL LIQUID	
		L12		CS CD-plating	316 L SS	316 L SS	Silicone Oil	
		L13		CS CD-plating	Hastelloy C	Hastelloy C		
		L14		CS CD-plating	Monel	Monel		
		L15		CS CD-plating	316 L SS	Tantalum		
		L22*		316 L SS	316 L SS	316 L SS		
		L23		316 L SS	316 L SS	Hastelloy C		
		L24		316 L SS	316 L SS	Monel		
		L25		316 L SS	316 L SS	Tantalum		
		L33		Hastelloy C	Hastelloy C	Hastelloy C		
		L35		Hastelloy C	Hastelloy C	Tantalum		
		L44		Monel	Monel	Monel		
		Optional Components	Weather proof is the Standard equipment	D		Digital Backlit LCD Indicator(with programming keys)		
B1				Bend bracket for pipe mounting (2" pipe)				
B2				Bend Bracket for plate mounting				
B3				Flat bracket for pipe mounting (2" pipe)				
D1				Side exhaust/vent valve of flange on top				
D2				Side exhaust/vent valve of flange on bottom				
W*				WeatherProof Type				
E				Explosion Proof Type				
I		Intrinsically Safe Type						

Example: M94 MD 12 L22 D

FLANGED DIAPHRAGM DP TRANSMITTER (LEVEL TRANSMITTER)



Static Pressure and Overpressure Limit

150lb flange: 15kg/cm² (at 37° filled with silicon oil)

300lb flange: 30kg/cm² (at 37° filled with silicon oil)

Connecting Fitting for Process Pressure

High-pressure side : 3" or 4" 150lb flange or 300lb flange

Low-pressure side : The connecting thread of the flange is 1/4-18NPT (taper-pipe-thread)

The connecting thread of the joint is 1/2-14NPT (taper-pipe-thread)

Code	Size	FLANGE SIZE (MM)					BOLT HOLE (MM)		
		Specification	Diameter	A	B	C	Amount	Diameter	Distribution Diameter
A	3"	150lb	190.5	30	66	127	4	19	152
B	4"	150lb	228.6	30	89	157	8	19	190
C	3"	300lb	209.6	35	66	127	8	22.2	168
D	4"	300lb	254	38	89	157	8	22.2	200

6. ORDERING DETAILS (M94DL)

TYPE				DESCRIPTION		
Product	M94			Smart Transmitter with HART Communication		
Type		DL		Flanged Diaphragm (on HP Side) DP Transmitter		
Range				SPAN	RANGE	
			53	1.2~7.2kPa	-7.2~7.2kPa	
			64	6~36kPa	-36~36kPa	
			65	30~180kPa	-180~180kPa	
			96	160~1000kPa	-1000~1000kPa	
			97	400~2500kPa	-2500~2500kPa	
Diaphragm Extension			0	None (0 mm)		
			1	25 mm		
			2	50mm		
			3	75mm		
Diaphragm Material			1	SS316L		
			2	Hastelloy C		
			3	Tantalum		
			4	Monel		
Capillary			00	None		
			--	Specify Length in meters		
Optional Components	Weather proof is the Standard equipment			D	Digital Backlit LCD Indicator(with programming keys)	
				B1	Bend bracket for pipe mounting (2" pipe)	
				B2	Bend Bracket for plate mounting	
				B3	Flat bracket for pipe mounting (2" pipe)	
				D1	Side exhaust/vent valve of flange on top	
				D2	Side exhaust/vent valve of flange on bottom	
				W*	WeatherProof Type	
				E	Explosion Proof Type	
I	Intrinsically Safe Type					

Example: M94 DL 64 0 1 00 D

7. SAFETY PRECAUTIONS

1. The unit should be powered for 15 minutes before use.
2. Use in ambient temperature of 0-60°C.
3. Avoid vibrations, shock, excessive dust, corrosive chemical materials or gaseous environment.
4. Input wire should not be too long. If measured signal have to be far away from the unit, please use 2-core shielded cable.
5. Use this instrument in the scope of its specifications, otherwise fire or malfunctions may result.
6. Contact of the instrument, with organic solvents or oils should be avoided.
7. Do not turn on the power supply until all of the wiring is completed. Otherwise electrical shock, fire or malfunction may result.
8. Do not disassemble, repair or modify the instrument.
9. All connections should be tightened properly.
10. Power supply should be constant, should not be fluctuating.

8. WARRANTY

ABUS provides the original purchaser of this instrument a one (1) year warranty against defects in material and workmanship under the following terms:

- The one year warranty begins on the day of shipment as stated on the sales bill.
- During the warranty period all costs of material and labor will be free of charge provided that the instrument does not show any evidence of misuse.
- For maintenance, return the instrument with a copy of the sales bill to our factory.
- All transportation and insurance costs should be covered by the owner of the equipment.
- Should any sign of electrical or mechanical shock, abuse, bad handling or misuse be evident the warranty voids and maintenance costs will be charged.

ABUS TECHNOLOGIES INC.

www.abustek.com, E-Mail: info@abustek.com

ABUS TECHNOLOGIES INC.